

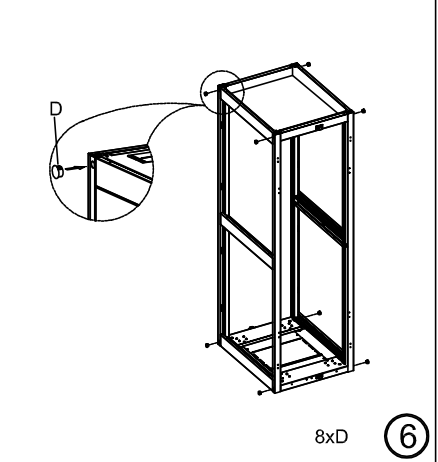
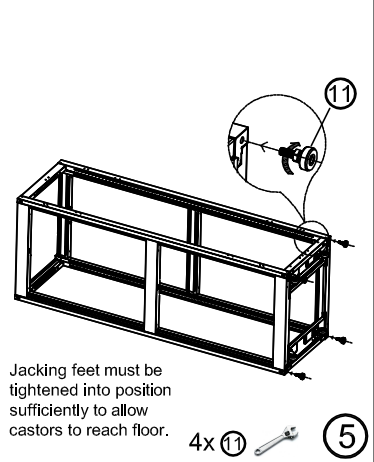
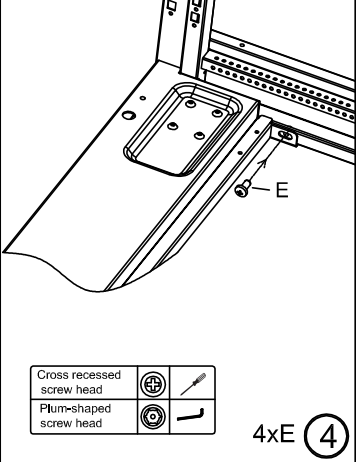
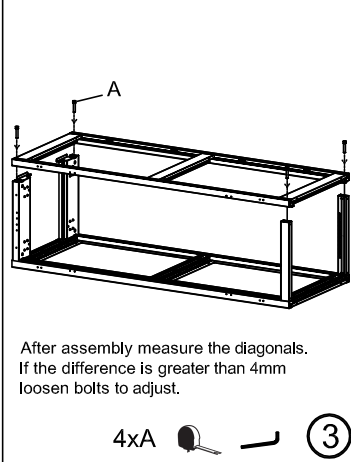
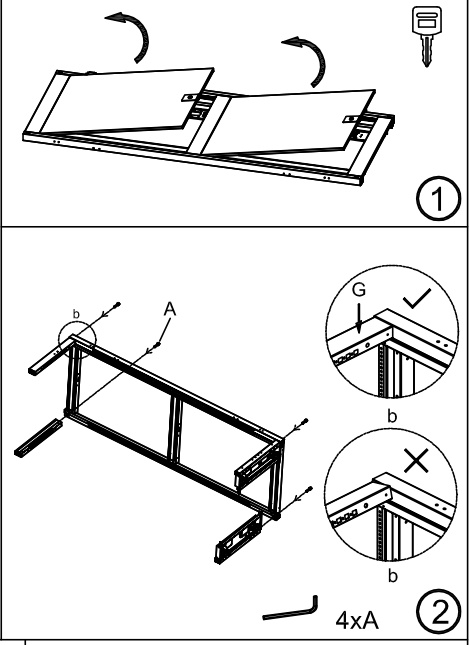
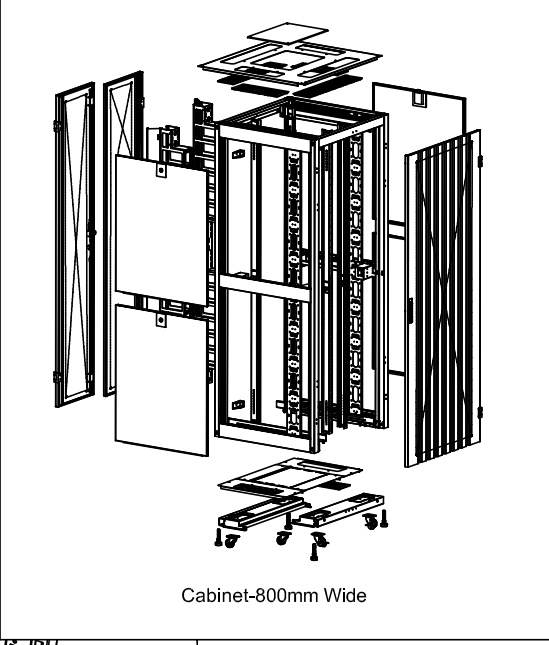
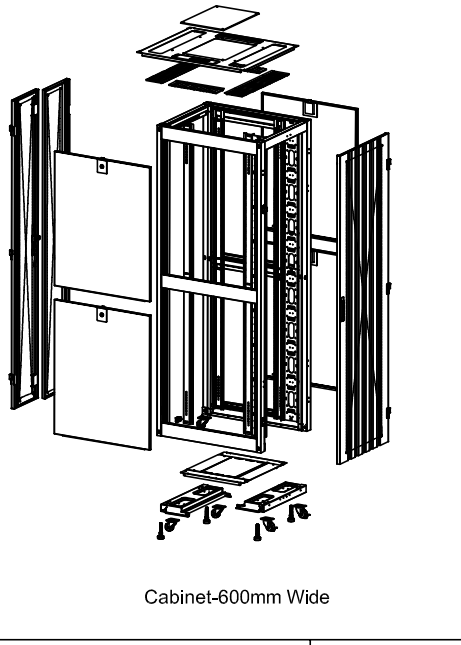
Kg
Max.
1300kg

Required for Assembly

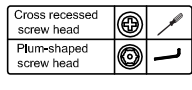


SUPPLIED PARTS AND HARDWARE

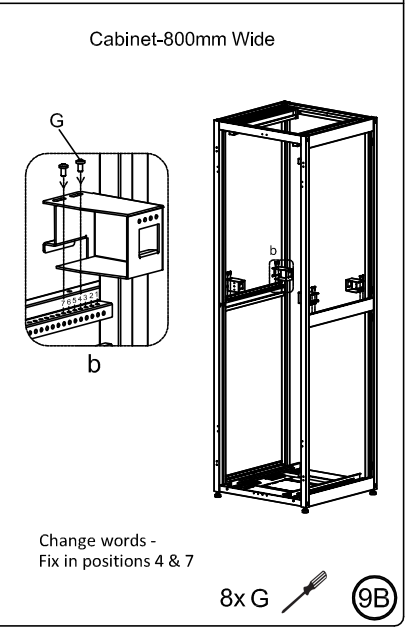
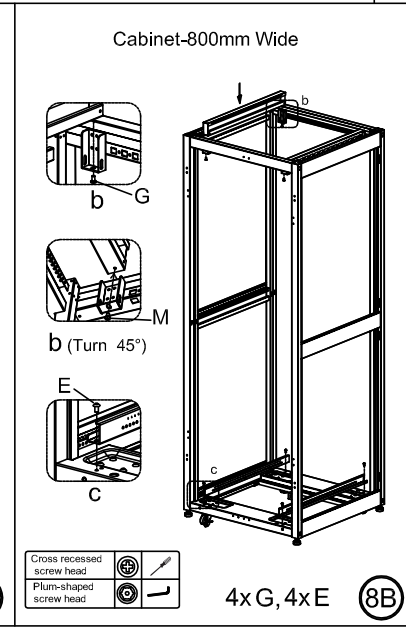
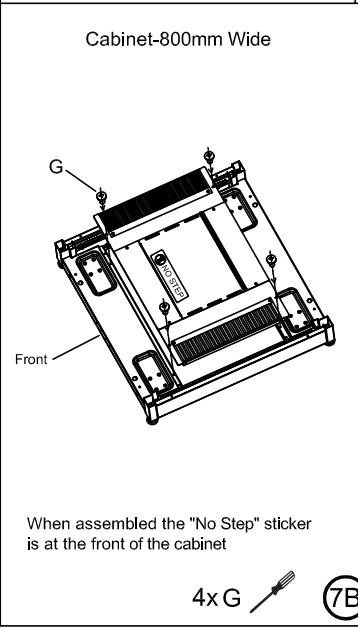
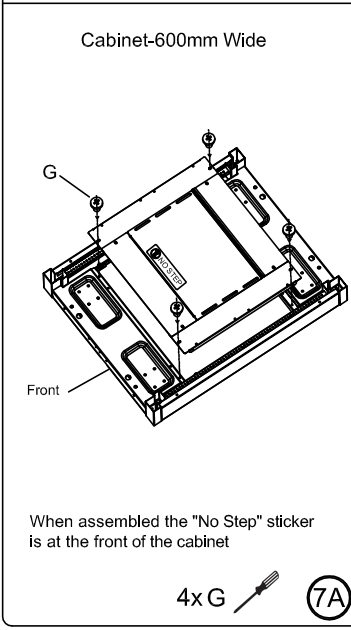
8x		1x		20(24U)/40(42U) SET	6x		8x		6x	
	A		B	C		D		E		F
				4x		CABINETS INSTALLATION MANUAL		2x	2x	4x
	G		H		I	One single door A double door				
										K
										L



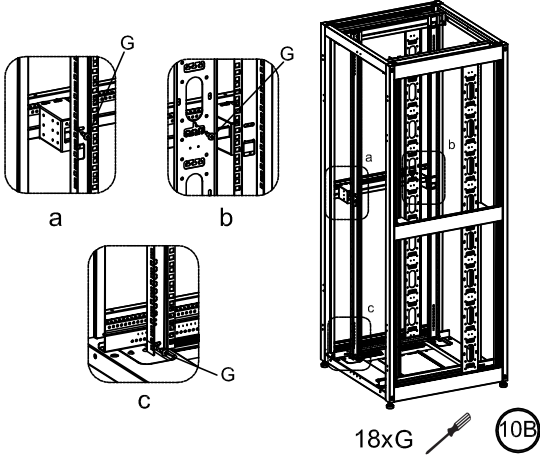
After assembly measure the diagonals. If the difference is greater than 4mm loosen bolts to adjust.



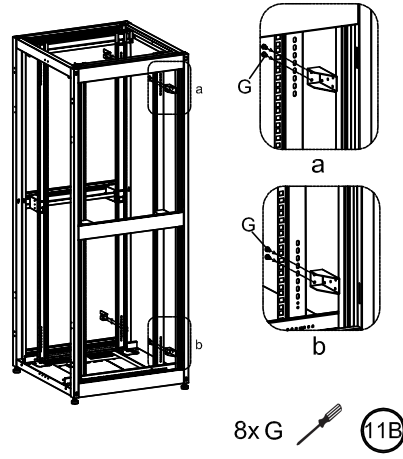
Jacking feet must be tightened into position sufficiently to allow castors to reach floor.



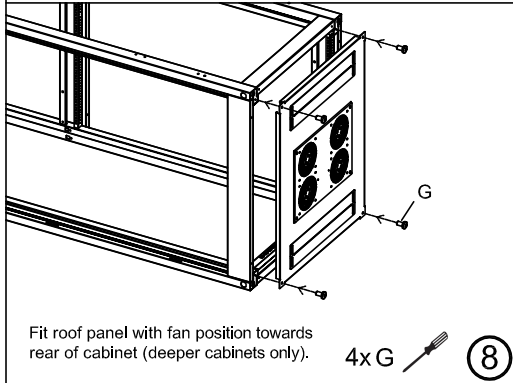
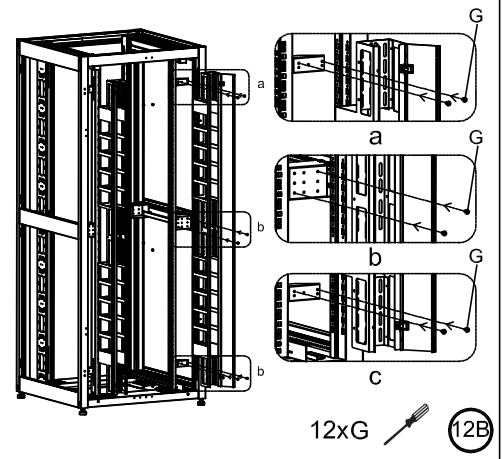
Cabinet-800mm Wide



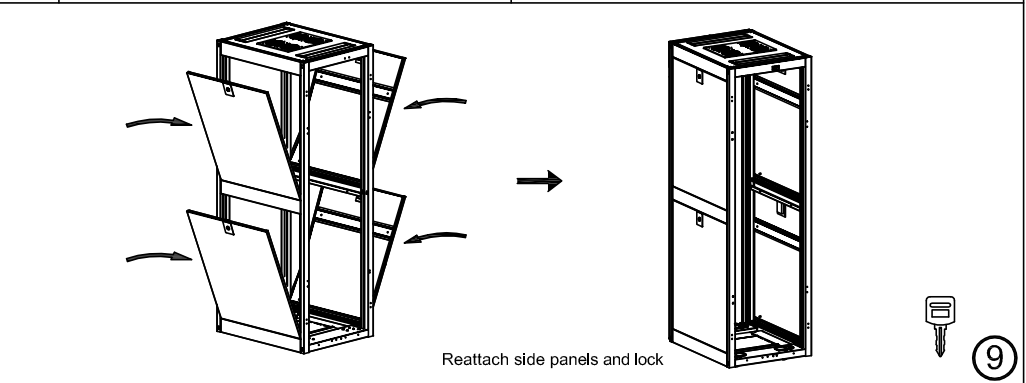
Cabinet-800mm Wide



Cabinet-800mm Wide



Fit roof panel with fan position towards rear of cabinet (deeper cabinets only).

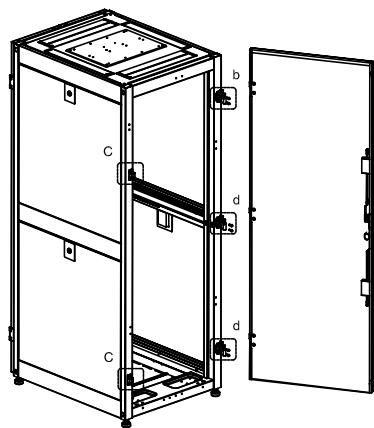


Reattach side panels and lock

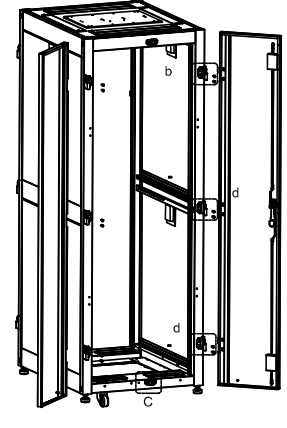
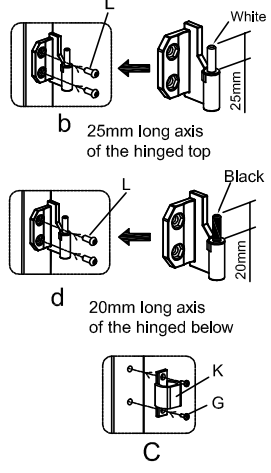
Single or double doors can be fitted front and rear - (Normally single door at the front and double doors at the rear).

Fitting Single Door
2 Hinges for 42U and smaller
3 Hinges for 47U and taller

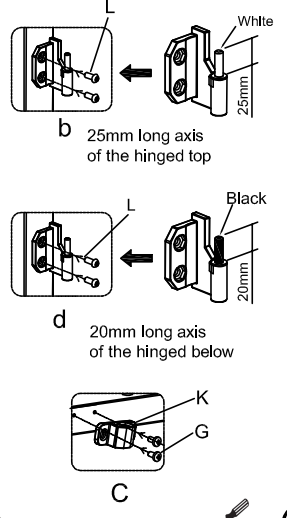
Fitting Double Door
2 Hinges for 42U and smaller
3 Hinges for 47U and taller



4xL(47U and above 6XL), 2xK, 4xG



8xL(47U and above 12XL), 2xK, 4xG



Doors can be adjusted by loosening hinge screws, moving the door and retighten.

